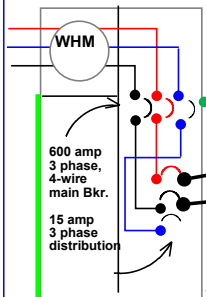
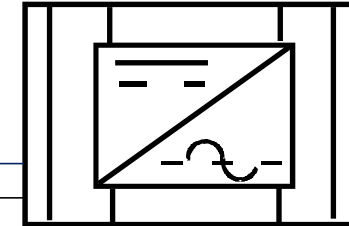


One of Four Parallel Lighting Circuits, each with separate breaker and timer contact. 1075 Input Watts, 120 Input Voltage, 60 Hz, 8.96 Operating Amps.

**PHILIPS ADVANCE 4VMY8
HID Ballast Kit, MH, for
1000 Lamp Watts**



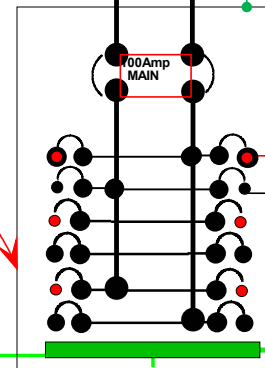
Modular Extension Cord
for HID Bulb Assembly



Existing Challenger
VSM02346 200 Amp
3 Phase 120/240 VAC
4-Wire Meter / Main.
Sub Panel is distributed
by a CL2100 3-pole,
100 amp breaker.

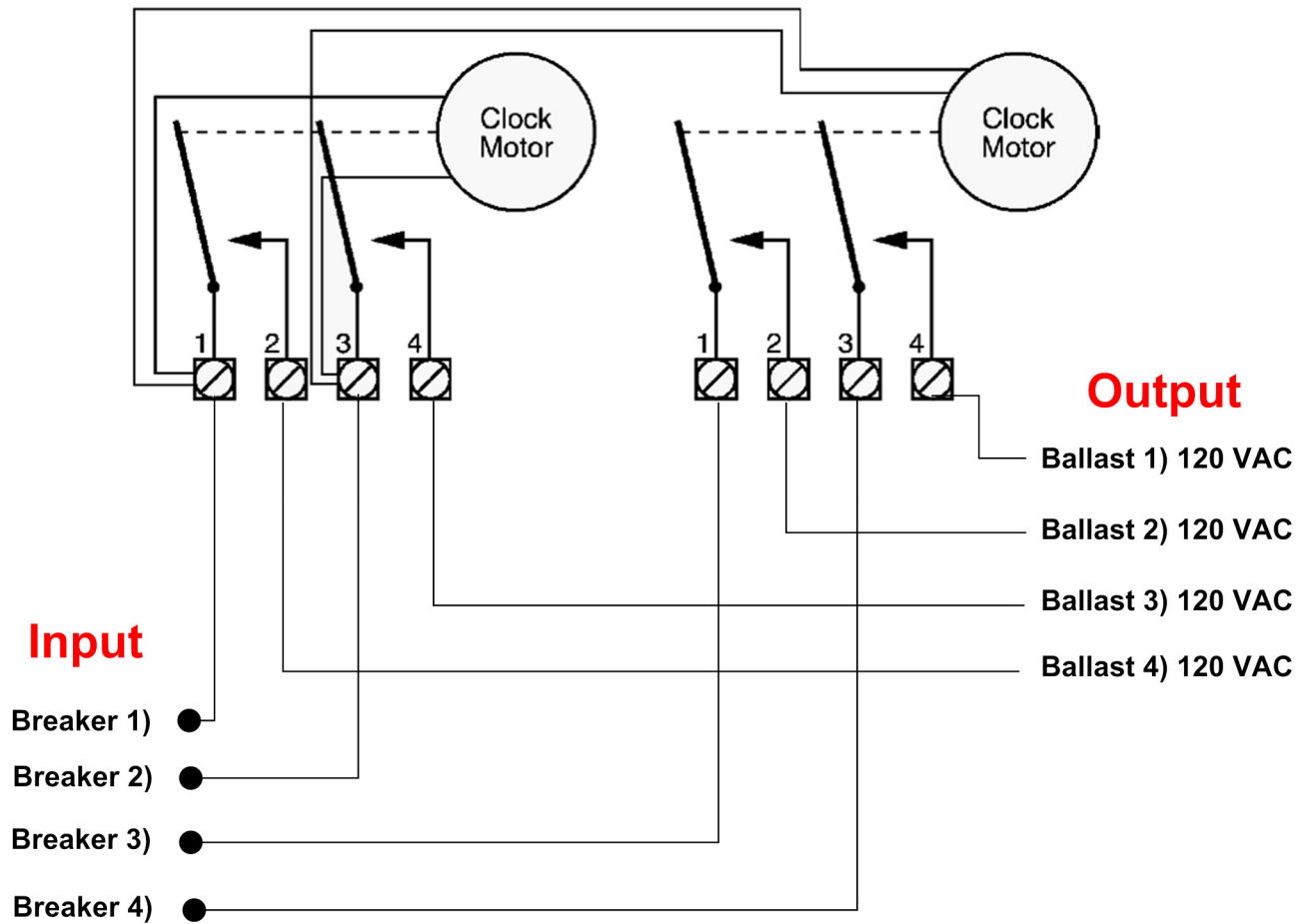
1" EMT with 2) #1 and 1)
#2 THWN stranded conductors.
and one #4 THHN Ground wire.

Cutler-Hammer 100 Amp single
phase Main Lug Sub Panel.
BR1632100BR with four 15 amp
Circuit Breakers. Ballasts attach to
NON-STINGER legs only.
L1 & L3 = 125 VAC to Gnd.



This is a three-phase, 120 VAC power system for the ballasts. Other items like feeders, mixers, coolers, etc. may be added as needed. This is a partial example of the detail that your local building department seeks. Documentation is just another one of our services.

Project Designer:	
Baran Galocy	
Project Location:	
Hwy 36, Mineral, California	
Project Name:	WO#
Mineral Oil	171222009
Date:	A.P. #
17 Dec, 2009	N.A.



HID Ballast Control Timer Mechanism Detail: Intermatic T30404R 100 Amp Subpanel

Project Designer:	
Baran Galocy	
Project Location:	
Central Redding	
Project Name:	WO#
Grow Room	Headquarters
Date:	A.P. #
17 March, 2010	

